



## Webinar with Rob Randall, ACARA



*Thanks for joining us tonight for a parent conversation on the move to online assessment.*

**At 8pm (AEST) we will kick off with our special guest:**

Rob Randall  
CEO  
Australian Curriculum, Assessment and Reporting Authority (ACARA).

**Date:** November 20

Bookmark this address to watch again :  
<http://austparents.edu.au/webinars>

*Through world-class curriculum, assessment and reporting, ACARA will improve the educational outcomes of all young Australians.*





# Question 1:

## Why online assessment?

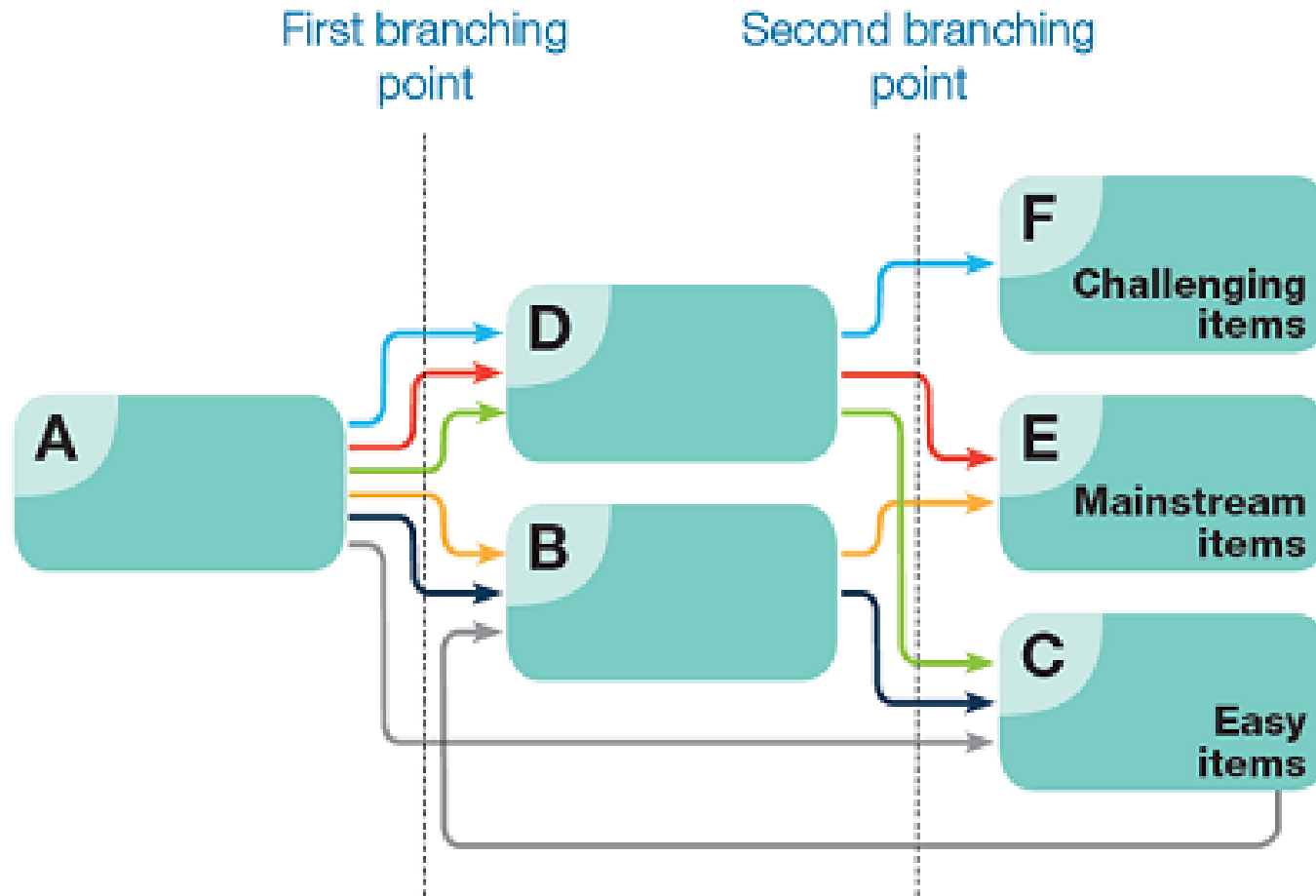


# Question 2:

What does online assessment involve?



# Tailored test design



# Question 3:

## When will online assessment begin?



From 2017 on an opt-in basis over 2-3 years

# We want you to be involved

	@ACARAeduau and @ACARA_CEO	<p>To subscribe to the ACARA UPDATE, Click the subscribe link on our website: <a href="http://www.acara.edu.au">www.acara.edu.au</a></p>
	<a href="http://www.facebook.com/ACARAeduau">www.facebook.com/ACARAeduau</a>	
	ACARAeduau	
	<a href="http://www.youtube.com/ACARAeduau">www.youtube.com/ACARAeduau</a>	
	ACARAeduau	



# Questions



Robert Randall, CEO





Our thanks to Rob Randall, CEO of ACARA

We hope you enjoyed this webinar brought to you by the Australian Parents Council.

[www.austparents.edu.au](http://www.austparents.edu.au)

To watch this webinar again, visit :  
<http://austparents.edu.au/webinars>

**Some resources to check out :**

- [ACARA website](#)
- [Information](#) on moving NAPLAN online (includes FAQs)
- Fact sheet - [Understanding the tailored test design](#)
- Fact sheet – [ACARA research and findings](#)
- Video – [NAPLAN online research](#)